



Reusable box epT.I.P.S.[®] Box 2.0

Instructions for Use

Copyright © 2023 Eppendorf SE, Germany. All rights reserved, including graphics and images. No part of this publication may be reproduced without the prior permission of the copyright owner.

Eppendorf® and the Eppendorf Brand Design are registered trademarks of Eppendorf SE, Germany.

Eppendorf trademarks and trademarks of third parties may appear in this manual. All trademarks are the property of their respective owners. The respective trademark name, representations and listed owners can be found on www.eppendorf.com/ip.

U.S. Patents and U.S. Design Patents are listed on www.eppendorf.com/ip.

Table of contents

1	About this manual.	4
1.1	About this manual.	4
1.2	Other applicable documents.	4
2	Product description.	6
2.1	Features.	6
2.2	Product overview.	7
3	Functional description.	9
4	Operation.	10
4.1	Filling the box.	10
4.2	Removing Reloads.	14
5	Sterilization.	16
5.1	Autoclaving consumables.	16
6	Disposal.	17
6.1	Disposing of consumables.	17
7	Technical data.	18
7.1	Dimensions and weight.	18
7.2	Ambient conditions.	18
7.3	Materials.	19

1 About this manual

1.1 About this manual

This document supplements the instructions for use for the pipette tips.

1. Before using the product, read the instructions for use completely.
2. Make sure that the instructions for use are available during the use of the product.

1.2 Other applicable documents

The following documents supplement this manual:

- Instructions for use for the epT.I.P.S. pipette tips (epT.I.P.S. = Eppendorf Totally Integrated Pipetting System).
- Instructions for use for the epT.I.P.S. 384 pipette tips.
- Quick start guide.

Certificates

There are different categories of certificates for Eppendorf SE consumables. More information on certificates can be found on our website www.eppendorf.com/certificates.

Batch-specific certificates are provided for the following purity grades:

- Biopur
- Forensic DNA Grade
- PCR clean
- PCR clean and Sterile
- Sterile

General certificates of conformity:

- Certificate of conformity for products with the purity grade Biopur (Certificate of Quality/ Conformity – Biopur)
- Certificate of conformity for products with the purity grade Forensic DNA Grade (Certificate of Purity – Eppendorf Forensic DNA Grade according to ISO 18385)
- Certificate of conformity for products with the purity grade PCR clean (Certificate of Purity – PCR clean)
- Certificate of conformity regarding trace metal (Certificate of Quality – epT.I.P.S. – Typical values for trace metal)
- Certificate of conformity regarding surface active additives (Certificate of Quality epT.I.P.S. and ep Dualfilter T.I.P.S. Quality Assurance)
- Certificate of conformity regarding the material composition and adherence to the error of measurement of pipette tips (Certificate of Quality/Conformity – epT.I.P.S. Dualfilter, LoRetention, SealMax)

- Certificate of conformity regarding the plastic granulates used (Certificate of Quality/Conformity – Laboratory Consumables)
- Certificate of conformity regarding the filters used (Certificate of Quality/Conformity – ep Dualfilter T.I.P.S. – EPA/HEPA)

6 Product description
epT.I.P.S.[®] Box 2.0
English (EN)

2 Product description

2.1 Features

The epT.I.P.S. Box 2.0 has the following features:

- Consists of a lower part and a transparent lid including a release button
- Easy and ergonomic handling
- Accommodates various pipette tips as Bulkware, epT.I.P.S. Reloads and sterile Reloads
- Three different sizes (size 1, 2 and 3)
- Holder for autoclaving pipette tips
- Stackable and space-saving
- Secure stand thanks to silicone feet
- Protection of pipette tips against contamination
- Lid-in-lid-technology (TwinLid mechanism)

Box size	Pipette tip volume
Size 1	Up to 300 µL
Size 2	Up to 1250 µL
Size 3	Up to 5 mL

The box is compatible with the following non-sterile Reloads:

- epT.I.P.S. Reloads
- epT.I.P.S. LoRetention Reloads

The box is compatible with the following sterile Reloads:

- epT.I.P.S. 384
- epT.I.P.S. Reloads Biopur
- ep Dualfilter T.I.P.S. Reloads
- ep Dualfilter T.I.P.S. LoRetention Reloads
- ep Dualfilter T.I.P.S. SealMax Reloads Biopur

2.2 Product overview

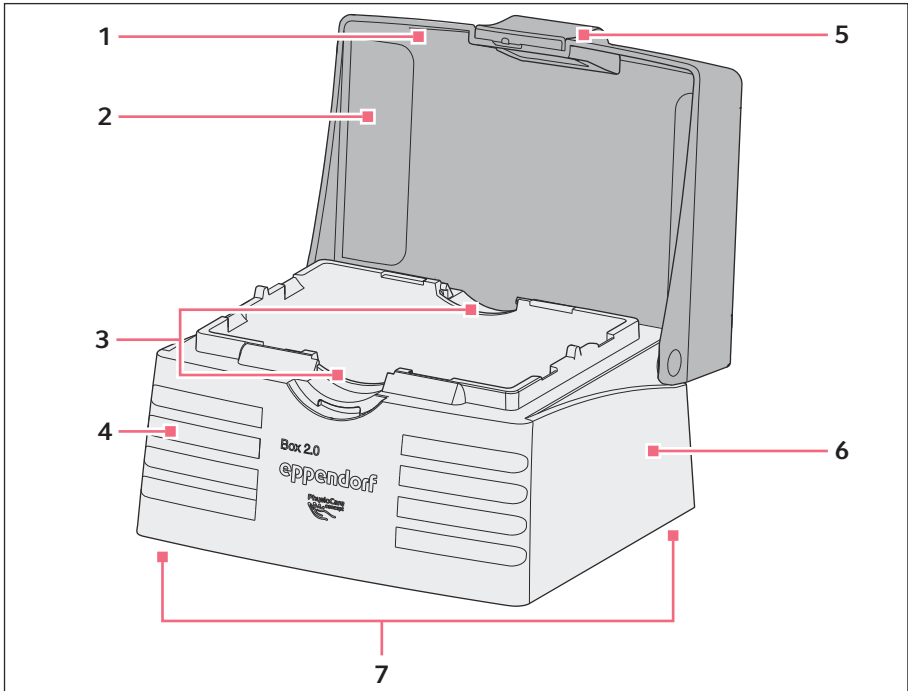


Fig. 2-1: epT.I.P.S. Box 2.0

- | | | | |
|---|--------------------------------------|---|----------------|
| 1 | Lid | 5 | Release button |
| 2 | Stacking indentation for rubber feet | 6 | Lower part |
| 3 | Snap-in points for Tray-tabs | 7 | Rubber feet |
| 4 | Recesses | | |

8 Product description
epT.I.P.S.® Box 2.0
English (EN)

The box size can be identified by its recesses:

Box size	Recesses one above the other
Size 1	2
Size 2	4
Size 3	8

3 Functional description

Bulkware

Bulkware is loose pipette tips packed in reclosable bags.

Reusable box

The reusable box is a box that can be filled with both Reloads and sterile Reloads. Note that the sterile Reloads only fit into the epT.I.P.S. Box 2.0.

Racks

Racks are single-use containers that contain Trays filled with pipette tips.

Reloads

Reloads are Trays filled with pipette tips for filling a reusable box. They produce less waste compared to single-use-Racks. The refill-Trays including the pipette tips can be autoclaved in the box at up to 121 °C. Depending on the volume of the pipette tips, the Trays in the refill system are packed against each other or stacked on top of each other. The refill-Trays including the pipette tips must be inserted into the reusable box before the pipette tips can be picked up.

Sterile Reloads

Sterile Reloads are single-use containers with Trays filled with pipette tips for filling the reusable box. The sterile Reloads are only compatible with the epT.I.P.S. Box 2.0. The sterile Reloads (including the lower part and lid) must be inserted into the reusable box before the pipette tips can be removed.

Singles

Singles are individual pipette tips in blister packs.

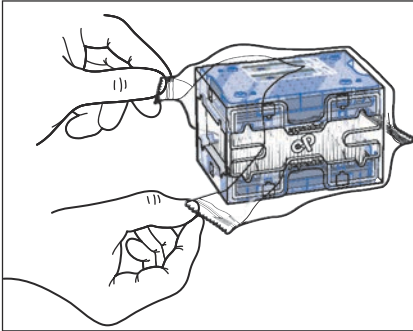
Trays

Trays are carriers with 24, 48, 96 or 384 recesses in which the pipette tips are located for picking up by a pipette. Empty Trays can be refilled. The Trays are color-coded for easy identification of pipette tips- and pipettes.

4 Operation

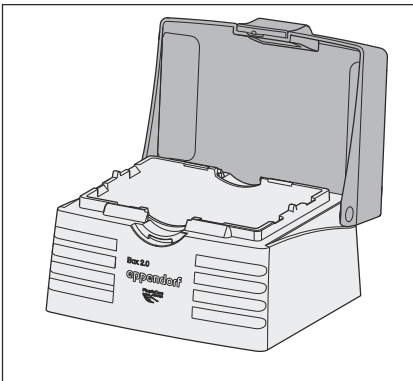
4.1 Filling the box

Filling the box with Reloads

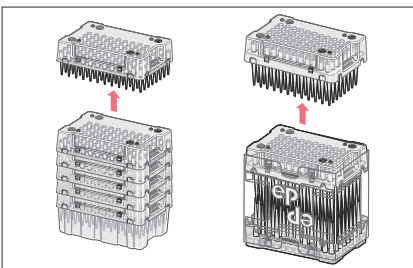


1. Remove the packaging foil from the Reloads.
2. Peel off the product label from the Reloads packing and stick it on the lid of the box.

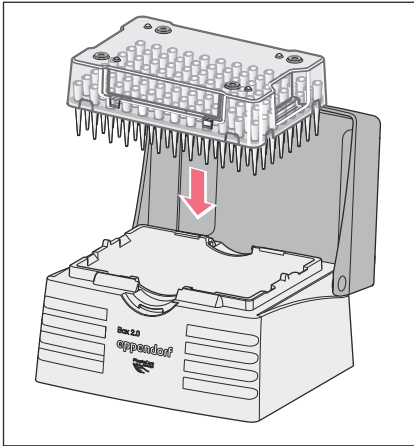
The product information about the Reloads is directly visible.



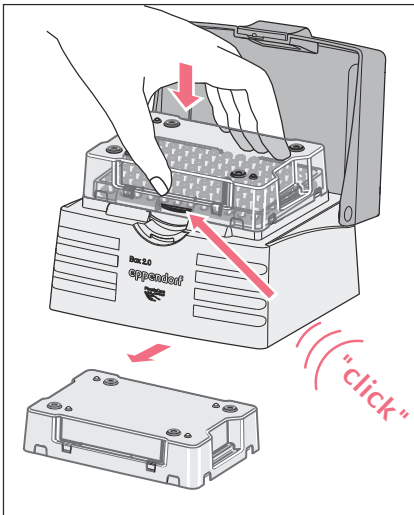
3. Open the box.



4. Remove a Tray containing pipette tips from the Reload. Use the lid to transfer the tray to avoid contamination by touch.



5. Insert the Tray with the pipette tips into the box.



6. Gently press the Tray-tabs together. Make sure that the Tray-tabs engage properly and that a "Click" is heard. Remove the Reloads lid from the box by gently pressing the lid together.
7. Close the box. Put the Reloads lid back on to protect the remaining pipette tips in the Reload or dispose of it.

Operation

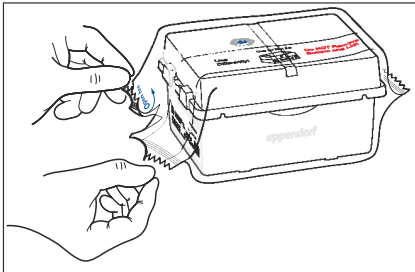
epT.I.P.S.® Box 2.0
English (EN)

Filling the box with sterile Reloads

The lid and the lower part belong to the epT.I.P.S. Reloads and are also inserted into the box. For sterile pipette tips, the epT.I.P.S. Reloads lid remains in the lid when the box is used.

Prerequisites

- Leave the lid and the lower part on the Reloads.

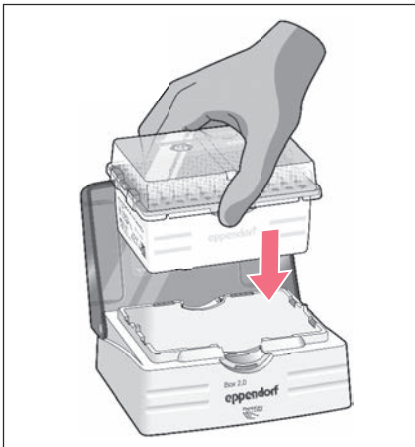


1. Remove the packaging foil from the Reloads, but not the lid and the lower part.

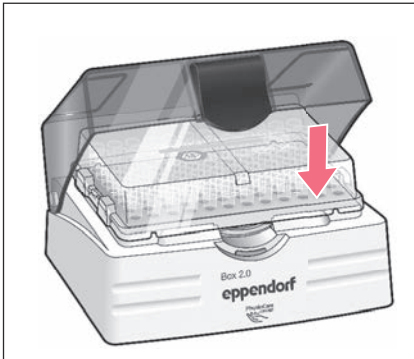


The product label for the Reloads can be read through the lid of the box.

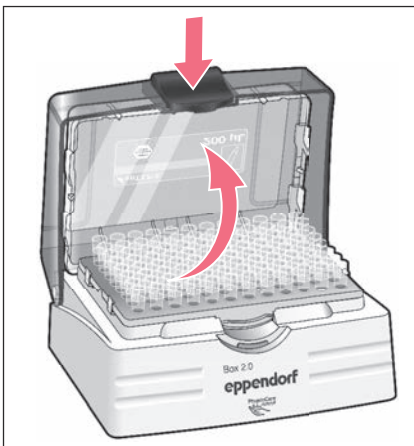
2. Open the box.



3. Insert the sterile Reload including the lid and the lower part into the box. The Reload-lid remains in the box and provides additional protection against contamination.
4. Gently press the Tray-tabs together. Make sure that the Tray-tabs engage properly and that a "Click" heard.



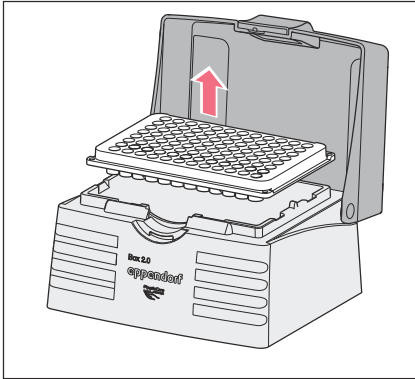
5. Close the lid of the box.
The Reloads lid has locked into the lid of the box.



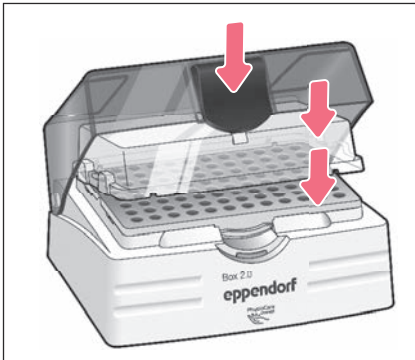
6. Open the lid of the box by gently pressing the release button.
The pipette tips have been inserted into the box in a sterile condition.

Operation

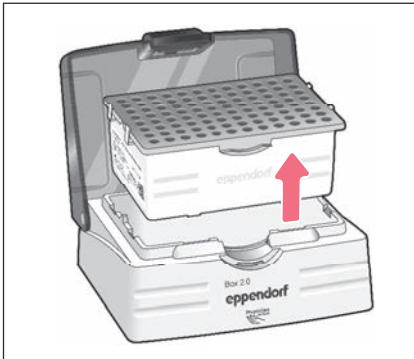
epT.I.P.S.® Box 2.0
English (EN)

4.2 Removing Reloads**Removing Reloads from the box**

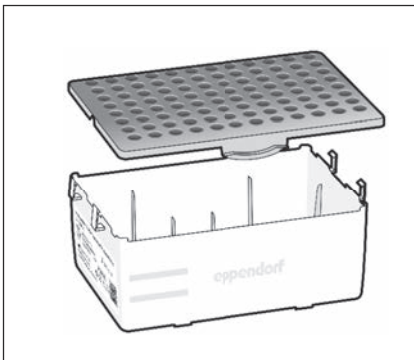
1. Open the lid of the box by pressing the release button.
2. Remove the Reload (Tray) from the box by gently pressing on the Tray-tabs.
3. Replace the product label when using other pipette tips.

Removing a sterile Reload from the box

1. Open the lid of the box (to an opening angle of approx. 45°) by gently pressing the release button.
2. Now press the release button completely.
The Reloads lid falls out of the lid of the box.



3. Remove the Tray including the lower part by gently pressing on the Tray-tabs.



4. The Tray and the lower part can be separated from each other using the locking hooks on the side.

SterilizationepT.I.P.S.® Box 2.0
English (EN)**5 Sterilization****5.1 Autoclaving consumables**

Eppendorf recommends autoclaving to sterilize the box.



Do not use any additional disinfectants before autoclaving the box.

Product	Temperature [°C]	Positive pressure [bar]	Time [min]	Number of possible cycles
epT.I.P.S. Box 2.0	121	1	20	100

6 Disposal

6.1 Disposing of consumables



Information on the legal regulations that apply in your country can be obtained from your responsible local authority and your Eppendorf partner.

1. Check the legal regulations for disposal in your country.
2. Dispose of the consumables according to their labeling.

Technical data

epT.I.P.S.[®] Box 2.0
English (EN)

7 Technical data**7.1 Dimensions and weight**

	Size 1	Size 2	Size 3
Width [mm]	141	143	148
Height (dimension incl. lid) [mm]	73	91	142
Depth [mm]	111	113	117
Weight [g]	182	216	325

7.2 Ambient conditions**Transport**

	Air temperature	Relative humidity	Atmospheric pressure
In transport packing	-25 °C - 55 °C	10 % - 95 %	70 kPa - 106 kPa

Storage

Store the box in a dry place and protect it from sunlight- and UV-light.



The box may show discoloration when treated with UV irradiation. This discoloration does not affect the functionality or service life of the box.

7.3 Materials



NOTICE! Damage to accessories

Aggressive substances may damage components, consumables and accessories.

- Check chemical resistance before using organic solvents and aggressive chemicals.
- Check compatibility with the materials used.
- Only use liquids whose vapors do not attack the materials used.

Component	Material
Lid	• Polycarbonate (PC)
Lower part	• Polycarbonate (PC)



www.eppendorf.com

Your local distributor: www.eppendorf.com/contact
Eppendorf SE · Barkhausenweg 1 · 22339 Hamburg · Germany
eppendorf@eppendorf.com · www.eppendorf.com