

New pipettors - Lambda EliteTouch /Axypet Pro

0.1-2, 0.5-10, 2-20 µL

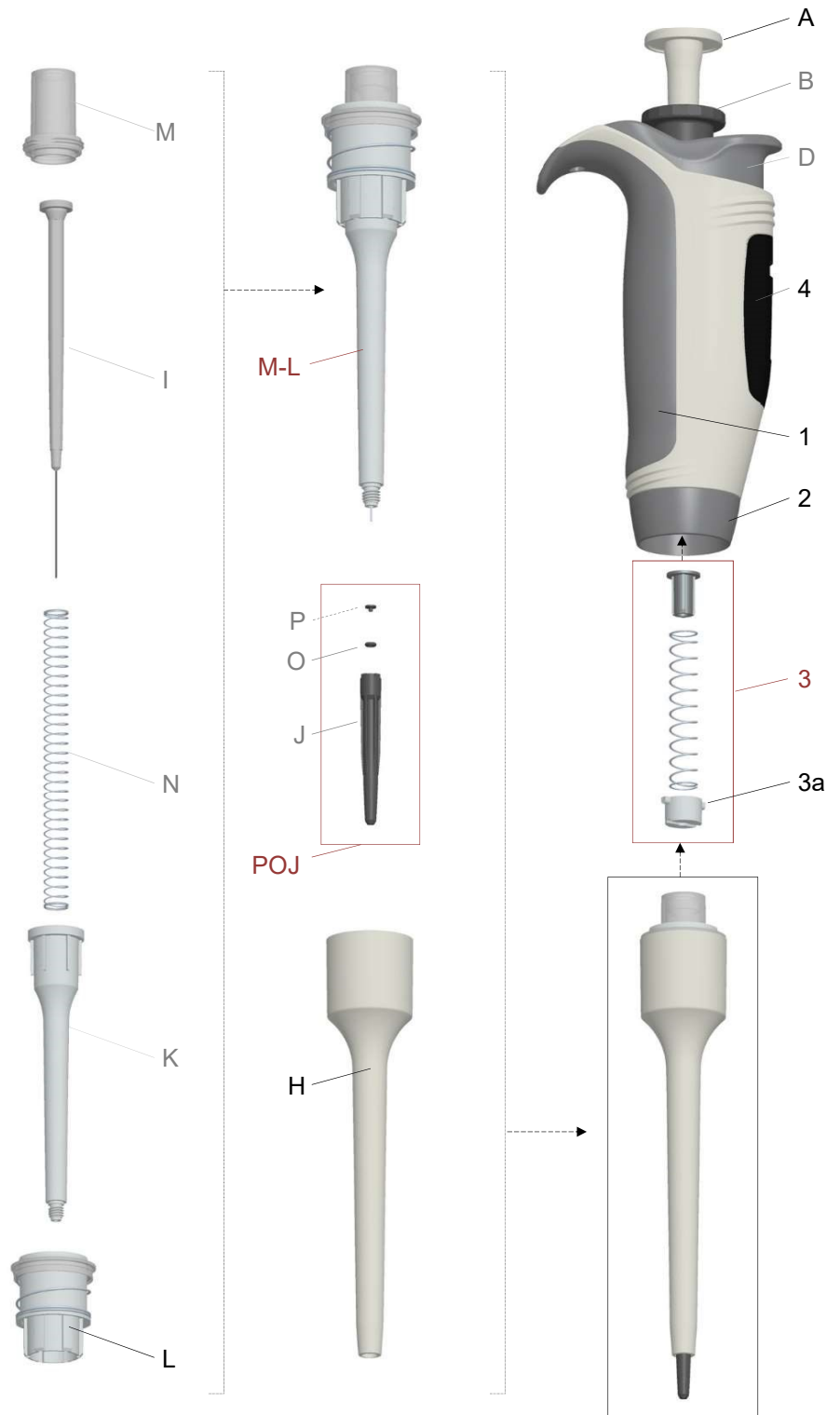
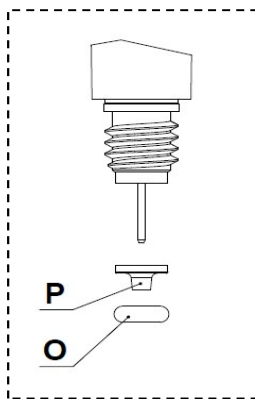
Quick notes:

- Plunger is supplied as complete assembly with spring, shaft holder, connecting bush and cap
- Shaft supplied with sealing part(s) x2 (one set of sealing is spare);
- Seal + O-ring is used in model 2 / O-ring (only) is used in models 10 and 20 !
- Use Tip Ejector to unscrew / tighten the shaft assembly to the handle body
- For quick access to shaft and sealing parts - pull down the Tip Ejector to detach it from the pipettor

| Item | Name | Notes |
|-----------|----------------------|-------|
| A | Pushbutton | all |
| M-L | Plunger assembly | — |
| POJ | Shaft kit | — |
| L | Connecting bush | all |
| H | Tip ejector | — |
| Optional: | | |
| 1 | Handle body cover | — |
| 2 | Handle body band | — |
| 3 | Blowout spring kit | all |
| 3a | Blow.s. locking bush | all |
| 4 | Counter overlay | — |
| B | Volume adjust.knob | all |
| D | Ejector button | all |
| M | Shaft cap | 2-200 |
| I | Plunger | — |
| N | Pipetting spring | 2-100 |
| K | Shaft holder | 2-20 |
| P | Seal | 2 |
| O | O-ring | — |
| J | Shaft | — |

Item code matches the character used in service manual, spare parts list and user manual

Seal and O-ring alignment on plunger 2:



Before repair: Make sure the pipettor has been cleaned by the user before any attempt of repair. If not, use adequate decontamination process (note: autoclave max temp. 121°C!).

New pipettors - Lambda EliteTouch /Axypet Pro

10-100, 20-200 μ L

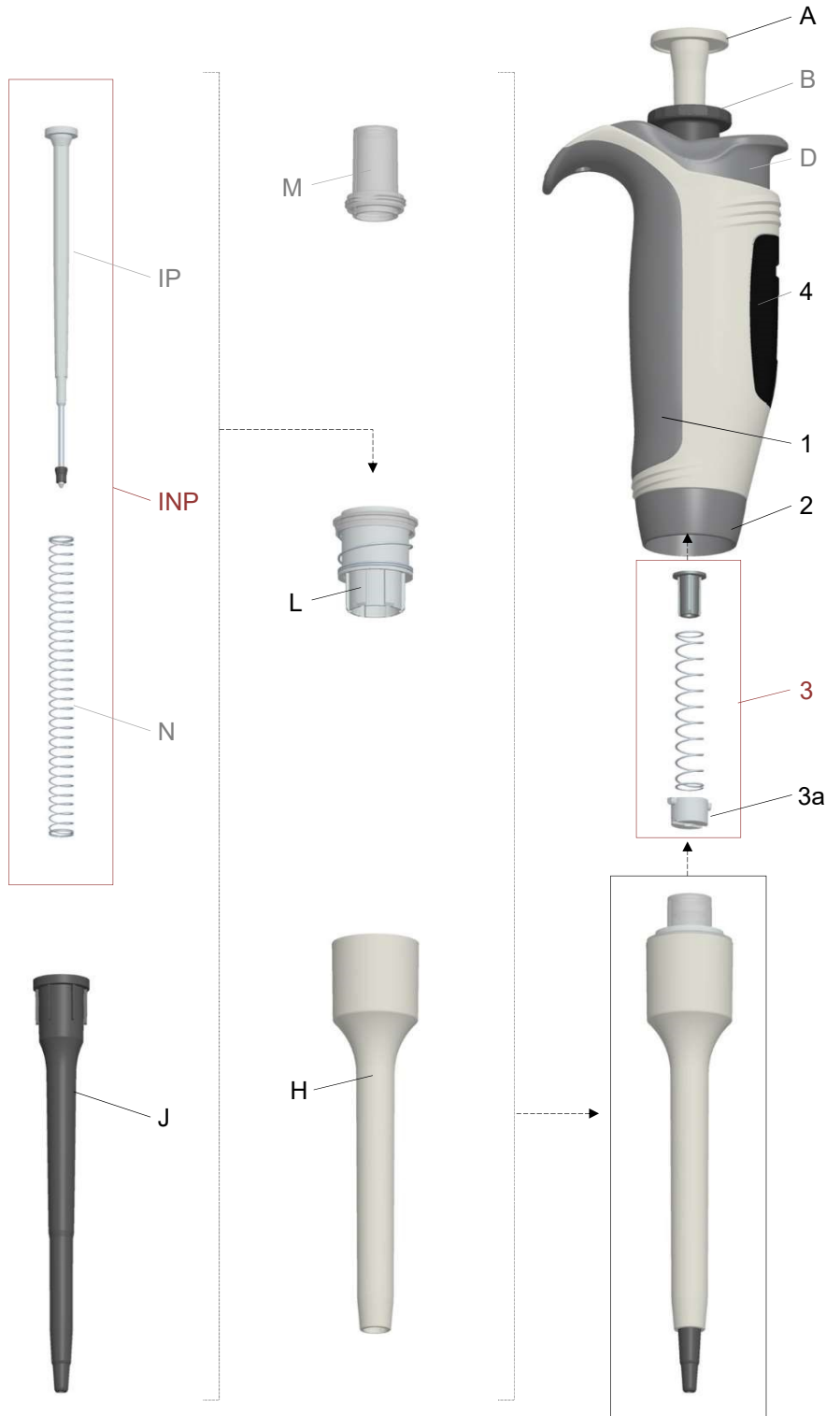
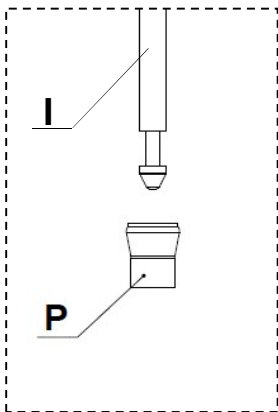
Quick notes:

- Piston is supplied with the seal (pre-installed) and the spring
- Seal is mounted on the piston one way only - see the zoomed picture below table
- Use Tip Ejector to unscrew / tighten the shaft assembly to the handle body

| Item | Name | Notes |
|-----------|----------------------|--------|
| A | Pushbutton | all |
| INP | Piston kit | — |
| J | Shaft | — |
| L | Connecting bush | all |
| H | Tip ejector | 20-200 |
| Optional: | | |
| 1 | Handle body cover | — |
| 2 | Handle body band | — |
| 3 | Blowout spring kit | all |
| 3a | Blow.s. locking bush | all |
| 4 | Counter overlay | — |
| | | |
| B | Volume adjust.knob | all |
| D | Ejector button | all |
| M | Shaft cap | 2-200 |
| IP | Piston & seal | — |
| N | Pipetting spring | — |

Item code matches the character used in service manual, spare parts list and user manual

Seal alignment on the piston:



Before repair: Make sure the pipettor has been cleaned by the user before any attempt of repair. If not, use adequate decontamination process (note: autoclave max temp. 121°C!).

New pipettors - Lambda EliteTouch /Axypet Pro

100-1000 µL

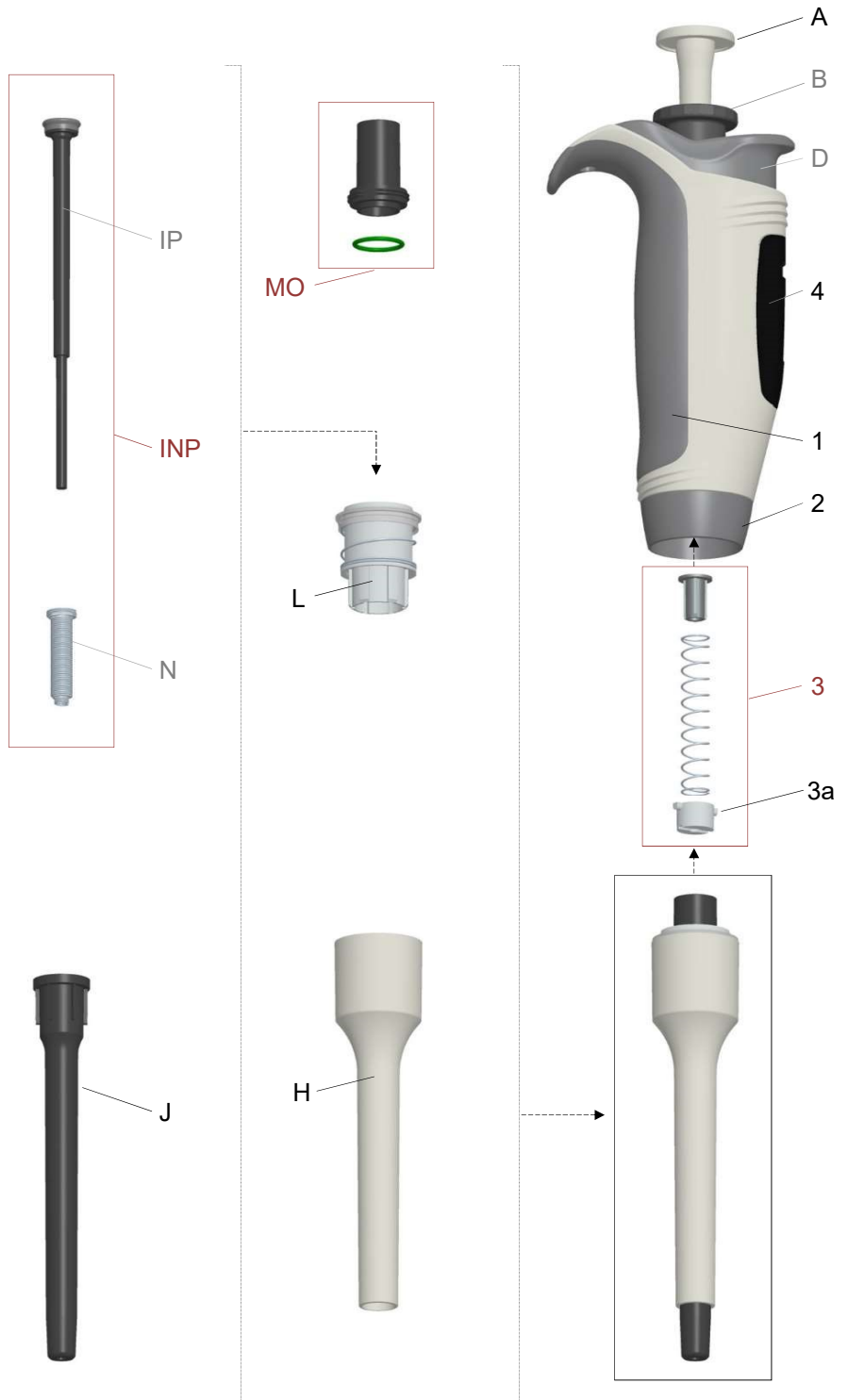
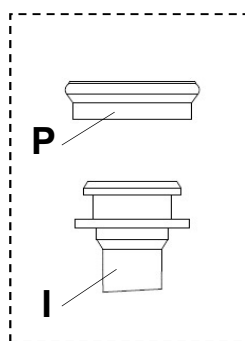
Quick notes:

- Piston is supplied with the seal (pre-installed) and the spring
- Seal is mounted on the piston one way only - see the zoomed picture below table
- Use Tip Ejector to unscrew / tighten the shaft assembly to the handle body

| Item | Name | Notes |
|-----------|----------------------|-------|
| A | Pushbutton | — |
| INP | Piston kit | — |
| J | Shaft | — |
| MO | Shaft cap w/ o-ring | — |
| L | Connecting bush | — |
| H | Tip ejector | — |
| Optional: | | |
| 1 | Handle body cover | — |
| 2 | Handle body band | — |
| 3 | Blowout spring kit | all |
| 3a | Blow.s. locking bush | all |
| 4 | Counter overlay | — |
| | | |
| B | Volume adjust. knob | — |
| D | Ejector button | — |
| IP | Piston & seal | — |
| N | Pipetting spring | — |

Item code matches the character used in service manual, spare parts list and user manual

Seal alignment on the piston:



Before repair: Make sure the pipettor has been cleaned by the user before any attempt of repair. If not, use adequate decontamination process (note: autoclave max temp. 121°C!).

Multichannel pipettors - Lambda EliteTouch /Axypet Pro

0.5-10, 5-50, 10-200, 30-300 μ L

Quick notes:

- Shaft is supplied as a kit, including compression spring & washer (that guarantee back compatibility)

| Item | Name | Notes |
|--------------------------------------|------------------------|-------|
| for parts 1-4 refer to 1ch pipettors | | |
| 7 | Manifold housing nut | all |
| 8 | Piston | — |
| 9 | Piston spring | all |
| 17 | Shaft kit | — |
| 19 | Tips ejector | — |
| 19A | Ejector pusher | all |
| 23 | Manifold housing set | — |
| Optional: | | |
| 18 | Shafts assembly | tba |
| 24 | Man. housing assembly | tba |
| 34P | Screw M2.2x9.5 | all |
| 34S | Screw M2.2x13 | all |
| 34H | Screws for housing set | ** |
| 34E | Ejector mounting set | *** |

Item code matches the character used in service manual, spare parts list and user manual

tba part not available yet

** = 5pcs of each screw size:
4/6/10/16mm

*** = 1pc of each element (5 items):
- top screw+washer
- bottom screw+spring+holder

