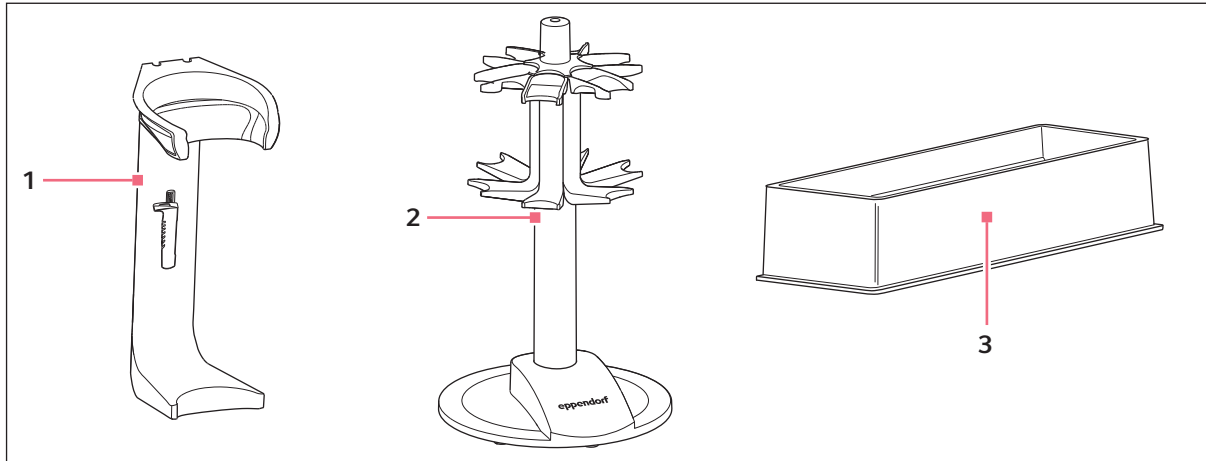


4 Accessories

4.1 Accessories for pipettes



1 Wall mount

3 Tip-Tub reagent reservoir

2 Pipette carousel

Order no. (International)	Order no. (North America)	Description
4923 601.002	4923601002	Holder for pipette carousel Reference 2
4923 000.017	4923000017	Wall mount for Reference 2 with hook and loop strips
4923 000.009	4923000009	Pipette carousel with 6 holders Reference 2
0030 058.607	022265806	Reagent reservoir Tip-Tub autoclavable reservoir for the aspiration of liquids with multi-channel pipettes
0013 022.153	0013022153	1 set = 10 reservoirs and 10 lids
		Grease with stick
3113 004.001	022448510	PiCaSo II Software Pipette Calibration Software